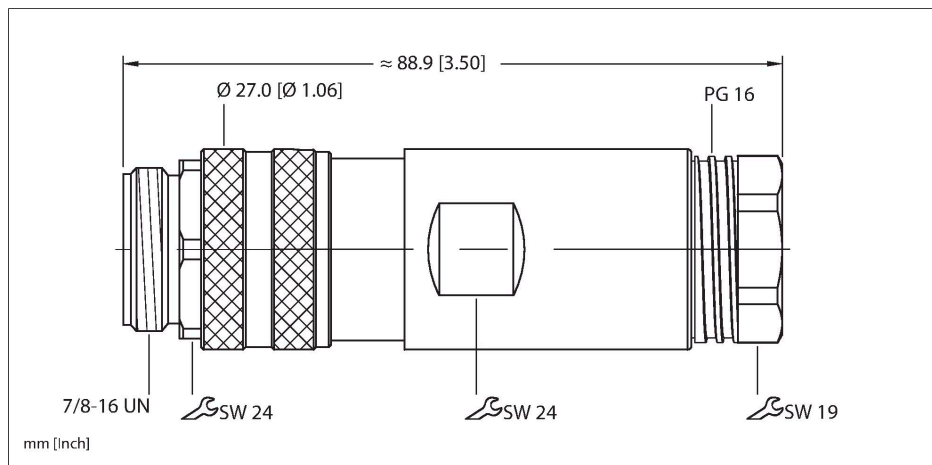


BS 4151-0/16

Actuator and Sensor, Field-Wireable – 7/8" Verbindung



Technical data

Type	BS 4151-0/16
ID	U6424
Connector A	Male, 7/8"-16 UN, Straight
Number of pins	5
Contacts	Brass, CuZn, Gold-plated
Contact carriers	Plastic, Nylon or TPU, Black
Connector body	Plastic, PBT, Black
Coupling nut/screw	Die-cast Zinc, CuZn, Nickel-plated
External diameter of the cable	12...14 mm
Core cross-section/terminal capacity	16 AWG
Connection mode	Screw/clamp connection
Mechanical lifespan	> 50 Mating cycles
Pollution degree	3
Protection class	IP67
Electrical properties at +20 °C	
Rated voltage	600 V
Current	9 A
Mechanical and chemical properties	
Ambient temperature (fixed)	-25...+85 °C
Approvals	UL Recognized RoHS
Note	
- We reserve the right to make technical modifications without prior notice.	

Features

- UL US
- RoHS compliant
- IP67 DEGREE OF PROTECTION
- RoHS compliant
- Zinc-Aluminum coupling nut
- UL approval
- Screw terminal connection
- Plastic housing
- 7/8" male connector, straight, 5-pin
- Plastic housing

Contact assignment

