



AP203 Pressure sensor G1/2A flush

Order by 2 pm - Shipping on the same working day

164,46 € offline price 174,03 €

Incl. 5.5% online discount for online orders

Overview

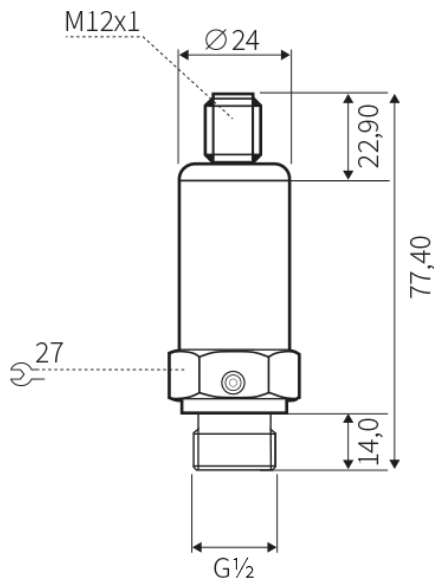
- Flush pressure sensor (ceramic-capacitive measuring technology)
- Fixed measuring range from 0 to 25 bar
- With analogue output, G1/2 process connection with external thread and M12 plug connection (2-pole)
- also applicable in pasty and dirty media
- high temperature resistance
- robust stainless steel housing
- protection class IP67
- Very good repeatability

In daily use - proven millions of times over. Products from autosens are under highest quality requirements regarding robustness, insensitivity and reliability. We offer 5 years warranty - with money-back guarantee!

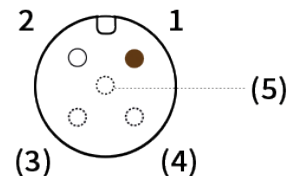
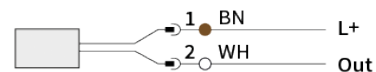
www.autosen.com/AP203

Direct link to the article on autosens.com

Dimensional drawing



Connection & pin assignment



Wiring & pin configuration legend

OUT: analogue output 4 ... 20 mA



General information

Pressure measuring range min.	0 bar
Pressure measuring range max.	25 bar
Bursting pressure	75 bar
Process connection	Flush External thread G 1/2

Outputs / inputs

Analogue output	4 ... 20 mA
IO-Link	No

Electrical data

Operating voltage	10 ... 30 V DC
Voltage type	Direct voltage (DC)
Current consumption max.	23mA
Short-circuit protection	Yes
Reverse polarity protection	Yes

Mechanical data

Materials in contact with the medium	V4A (1.4404) FPM Al2O3 (ceramic)
Measuring cell material	Al2O3 (ceramic)
Material of housing	V4A (1.4404)
Electrical connection	M12 2-pin

Accuracy

Resolution	0.1 % FS*
Max. Deviation at 25°C	± 0.3 % FS* incl. zero point, full scale, linearity, hysteresis and repeatability
Comment	*FS: Fullscale

Ambient conditions

Ambient temperature min.	-25°C
Ambient temperature max.	85°C
Medium Temperature Min.	-25°C
Media temperature Max	125°C
Protection rating	IP65

Order online at
Order by telephone
Order by fax

www.autosen.com
+49 (0) 201/749 189 21
+49 (0) 201/749 189 22

autosen gmbh • Annastraße 41 • 45130 Essen
www.autosen.com • info@autosen.com
We reserve the right to make technical changes without notice -
2/5/2026



Additional information

Function display	No
EMC test	DIN EN 61326-2-1 DIN EN 50178
Shock resistance test	DIN EN 60068-2-27
Vibration resistance test	DIN EN 60068-2-6
Approval	CE cULus



Accessories: Display for analog sensors



AG002
TFT display for sensors

Unit price: 188,77 €*



AG001
Process Display

Unit price: 94,28 €*



AD003
Display for analogue signals

Unit price: 123,25 €*



AN004
Multifunction relay for sensors

Unit price: 155,68 €*

Accessories: Signal converter



AD003
Display for analogue signals

Unit price: 123,25 €*



AN103
Signal conditioner

Unit price: 97,78 €*



AN101
Signal splitter

Unit price: 112,04 €*

Accessories: M12/M12 connection cable | 4-pol. | PUR | IP67



AA209
Connection cable M12/M12 4P
PUR 2m IP67

Unit price: 9,78 €*



AA211
Connection cable M12/M12 4P
PUR 2m IP67

Unit price: 11,27 €*



AA210
Connection cable M12/M12 4P
PUR 5m IP67

Unit price: 13,10 €*



AA212
Connection cable M12/M12 4P
PUR 5m IP67

Unit price: 13,92 €*

Accessories: M12/M12 connection cable | 4-pin | PUR | IP69K



AA205
Connection cable M12/M12 4P
PUR 10m IP69K

Unit price: 22,68 €*



AA202
Connection cable M12/M12 4P
PUR 5m IP69K

Unit price: 17,64 €*



AA201
Connection cable M12/M12 4P
PUR 2m IP69K

Unit price: 14,42 €*

Accessories: M12 sensor cable | 4-pin | PVC | IP67



AA042
Sensor cable M12 4P PVC 10m
IP67

Unit price: 15,63 €*



AA039
Sensor cable M12 4P PVC 10m
IP67

Unit price: 10,77 €*



AA041
Sensor cable M12 4P PVC 5m
IP67

Unit price: 11,77 €*



AA038
Sensor cable M12 4P PVC 5m
IP67

Unit price: 7,98 €*



AA040
Sensor cable M12 4P PVC 2m
IP67

Unit price: 8,59 €*



AA037
Sensor cable M12 4P PVC 2m
IP67

Unit price: 6,10 €*



AA064
Sensor cable M12 4P PVC 2m
IP67

Unit price: 4,75 €*



AA066
Sensor cable M12 4P PVC 2m
IP67

Unit price: 5,08 €*



AA065
Sensor cable M12 4P PVC 5m
IP67

Unit price: 6,37 €*



AA067
Sensor cable M12 4P PVC 5m
IP67

Unit price: 6,77 €*

Accessories: M12 sensor cable | 4-pin | PUR | IP67

Order online at
Order by telephone
Order by fax

www.autosen.com
+49 (0) 201/749 189 21
+49 (0) 201/749 189 22

autosen gmbh • Annastraße 41 • 45130 Essen
www.autosen.com • info@autosen.com
We reserve the right to make technical changes without notice -
2/5/2026



**AA052**Sensor cable M12 4P PUR 2m
IP67**Unit price: 6,26 €*****AA054**Sensor cable M12 4P PUR 2m
IP67**Unit price: 6,65 €*****AA053**Sensor cable M12 4P PUR 5m
IP67**Unit price: 8,40 €*****AA055**Sensor cable M12 4P PUR 5m
IP67**Unit price: 8,92 €*****Accessories: M12 sensor cable | 4-pin | PVC | IP69K****AA025**Sensor cable M12 4P PVC 25m
IP69K**Unit price: 24,19 €*****AA024**Sensor cable M12 4P PVC 10m
IP69K**Unit price: 15,48 €*****AA023**Sensor cable M12 4P PVC 5m
IP69K**Unit price: 12,60 €*****AA031**Sensor cable M12 4P PVC 2m
IP69K**Unit price: 12,37 €*****Accessories: M12 sensor cable | 4-pin | PUR | IP69K****AA017**Sensor cable M12 4P PUR 10m
IP69K**Unit price: 13,75 €*****AA006**Sensor cable M12 4P PUR 5m
IP69K**Unit price: 11,16 €*****AA005**Sensor cable M12 4P PUR 2m
IP69K**Unit price: 9,60 €*****Accessories: M12 connector | 4-pin | plug****AA946**

Wireable connector angled M12

Unit price: 5,76 €***AA921**

Wireable connector M12

Unit price: 5,76 €***AA961**Wireable connector angled M12
IP69k**Unit price: 15,36 €*****AA959**Wireable connector straight M12
IP69k**Unit price: 15,36 €*****Accessories: M12 connector | 4-pin | socket****AA947**

Wireable socket angled M12

Unit price: 5,76 €***AA939**

Wireable socket M12

Unit price: 5,76 €***AA962**

Wireable socket angled M12 IP69k

Unit price: 15,36 €***AA960**Wireable socket straight M12
IP69k**Unit price: 15,36 €*****Accessories: Y-distributor****AA046**

Y-splitter cable M12/2xM12

Unit price: 19,15 €***AA922**

Y distributor M12/2xM12

Unit price: 12,57 €***Order online at**
Order by telephone
Order by faxwww.autosen.com
+49 (0) 201/749 189 21
+49 (0) 201/749 189 22autosen gmbh • Annastraße 41 • 45130 Essen
www.autosen.com • info@autosen.com
We reserve the right to make technical changes without notice -
2/5/2026