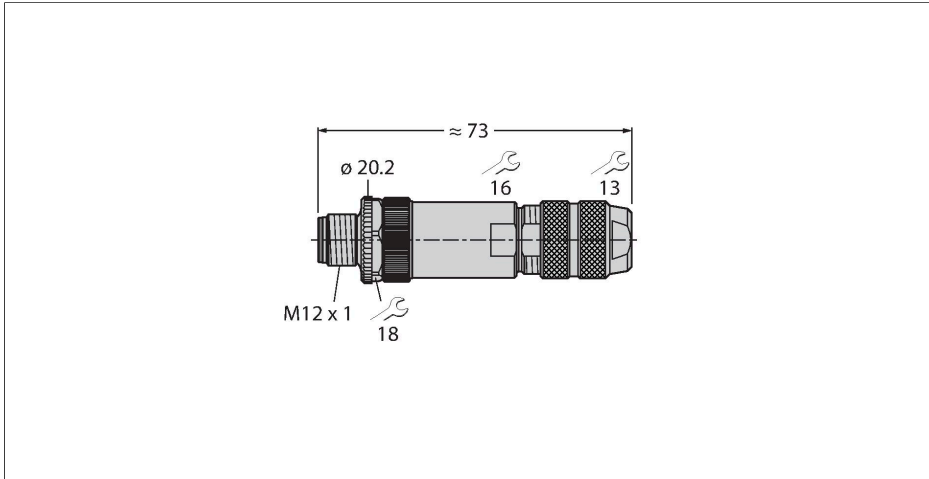


# FW-M12ST5D-G-SB-ME-SH-8

## Field-Wireable Connector

### Male Connector M12 × 1, Straight

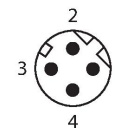


#### Features



- For use in Ethernet applications
- Shielding via iris spring connection
- D-coding
- Metal housing
- Screw-clamp terminal
- 4-pin
- Cable feedthrough 5.0...8.0 mm
- Approval: UL

#### Contact assignment



#### Technical data

Type	FW-M12ST5D-G-SB-ME-SH-8
ID	6604218
Connector A	Male, M12 × 1, Straight, D-coded
Number of pins	4
Contacts	Brass, CuZn, Gold-plated
Contact carriers	Plastic, PA, Black
Connector body	Die-cast Zinc, GD-Zn, nickel-plated, Black
Coupling nut/screw	Die-cast Zinc, GD-Zn, Nickel-plated
Seal	Plastic
External diameter of the cable	5...8 mm
Core cross-section/Clamping ability	0.14...0.75 mm <sup>2</sup>
Connection mode	Screw/clamp connection
Mechanical lifespan	> 100 Mating cycles
Protection class	IP67, (screwed together)
Network protocol	Ethernet
Shielding	yes
<b>Electrical properties at +20 °C</b>	
Rated voltage	250 V
Current	4 A
Insulation resistance	≥ 10 <sup>8</sup> Ω
forward resistance	≤ 3 mΩ
<b>Mechanical and chemical properties</b>	
Ambient temperature (fixed)	-40...+85 °C
Approvals	UL